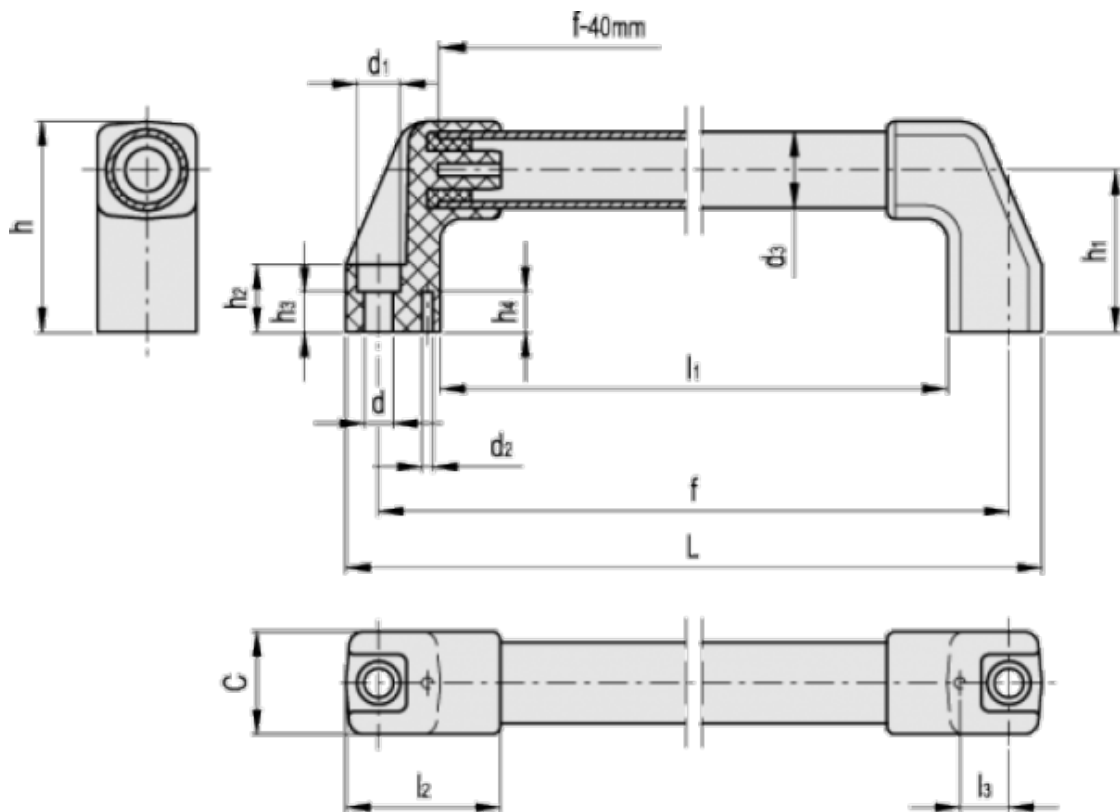


Data Sheet



Article number: 2304037682
 Description: E+G Tubular handle
 M.1043/20-700-SST

Measures



c	= 28	h1 = 45	R = load at breakage in N = 1400
d	= 8.5	h2 = 18	
d1	= 13.5	h3 = 9.5	
d2	= 4	h4 = 15	
d3	= 20	L = 720	
E = Max . working load in N = 900		l1 = 662	
f	= 700	l2 = 47	
h	= 58	l3 = 13	